

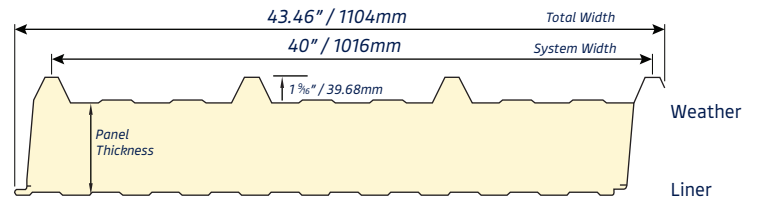
# RIBBED ROOF PANEL

## RRP-40

FALK's RRP-40 is ideal for exterior applications, and either vertical or horizontal install. The RRP-40 insulated metal panel offers rapid installation compared to conventional construction. In addition, FALK boasts a state-of-the-art facility and privately owned delivery fleet for added customer value.

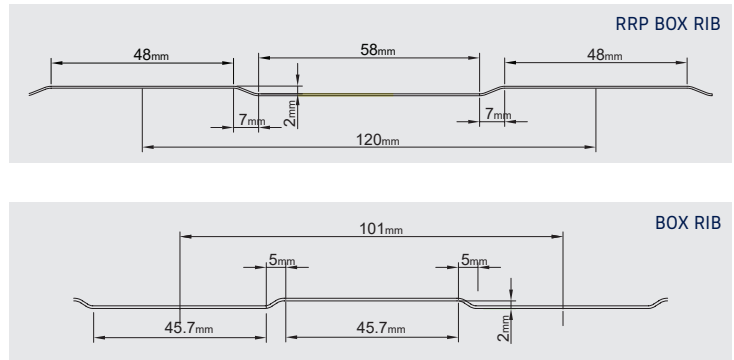
### FEATURES

- **Panel Length:** 10' - 82'
- **Core:** Foamed-in-place polyisocyanurate (PIR)
- **Accessories:** Flashings, Trim, Screws, & Plates
- **Slope:** From 3/4:12 to 6:12
- **Cutback:** 2"-12" Options



### COATINGS & FINISHES

- **Weather-Side/Exterior Coatings:** HPS200 Ultra®, Fluoropon 70% PVDF, SMP, & PE
- **Liner-Side/Interior Coating:** HPS200 Ultra®, Fluoropon 70% PVDF, SMP, & PE
- **Weather-Side/Exterior Profile:** RRP Box
- **Liner-Side/Interior Profile:** Box
- **Embossing:** Standard for 24 & 26 Gauge; Not Available on 22 Gauge or HPS200 Coating



### SPECIFICATIONS

PANEL THICKNESS* (in)	PANEL WIDTH in (mm)	STEEL GAUGE		THERMAL VALUES		APPROX. WEIGHT (lbs/sf)
		WEATHER	LINER	R-VALUE**	U-FACTOR	
4"	40" (1016mm)	24, 22	26, 24, 22	33.33	.03	2.55
6"		24, 22	26, 24, 22	50.00	.02	2.99

\*Panel thickness listed above is nominal.

\*\*R-value calculated based on ASTM C1363 U-Factor results, at 35° mean. FALK's calculated R-value per inch is 8.33.



info@falk.com  
www.falk.com

1782 Northridge Dr NW  
Walker, MI 49544  
USA  
616.541.4500

11 Fulton Road  
Rocky View County, AB T1X 0Z1  
Canada  
587.349.1777

# RIBBED ROOF PANEL

## TESTING & APPROVALS

FALK's line of insulated metal panels have been extensively tested under a variety of North American and international Standards. Key examples are listed below, but please visit our Testing & Certifications web page for more details or reach out to FALK Customer Service.

### FIRE

- ASTM E84 - 21
- ASTM E84 - 18b
- UL 1256 Part II - 4th
- ASTM D1929-20
- CAN/ULC-S102-10
- CAN/ULC-S126
- CAN/ULC-S127
- CAN/ULC-S138-06
- NFPA 286

### PANEL PROPERTIES

- ASTM D1621
- ASTM D1622
- ASTM D2126
- ASTM D6226
- ASTM D1623

### STRUCTURAL

- ASTM E455
- ASTM E72
- AISI S907
- ASTM E1592

### THERMAL

- ASTM C518-21
- ASTM C1363

### AIR

- ASTM 1680-16

### WATER

- ASTM E1646-95
- AAMA 501.1-17

### SPECIAL

- Florida Building Code
- Texas Department of Insurance
- QAI
- Environmental Product Declaration
- FM 4880, 4881, 4470, 4471 for specific products



B1142  
 ASTM E84 CLASS A  
 FSI<25 SDI<450  
 CAN/ULC-S102  
 FSI<25 SDI<100



All statements, technical information and recommendations contained in this document are based upon tests or experience that FALK believes are reliable. However, many factors beyond FALK's control can affect the product in a particular application, including the conditions under which the product is used and the time and environmental conditions in which the product is expected to perform. Since these factors are uniquely within the user's knowledge and control, it is essential that the user evaluate the FALK product to determine whether it is fit for a particular purpose and suitable for the user's method of application.

All FALK products are subject to FALK's general terms and conditions and applicable standard warranty terms and conditions, unless otherwise specified.



info@falk.com  
 www.falk.com

1782 Northridge Dr NW  
 Walker, MI 49544  
 USA  
 616.541.4500

11 Fulton Road  
 Rocky View County, AB T1X 0Z1  
 Canada  
 587.349.1777